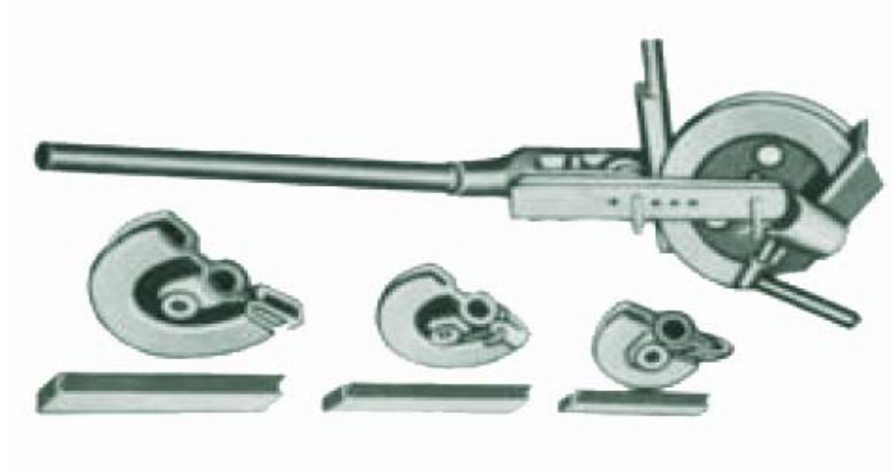




MINI CONDUIT BENDERS



Model GMCB Hand operand PORTABLE TYPE Mini conduit Benders bends conduit (Furniture) thin walled pipes'from 1/2" to 1" diameter without filling or heating etc. supplied with standerd accesoriei viz. centre former size 5/8", 3/4" and 1" and handle, approx. net weight 25 kgs.,

Extra accessories:

Centre former 1/2" and 7/8" dia